

8

7

6

5

4

3

2

1

D

D

C

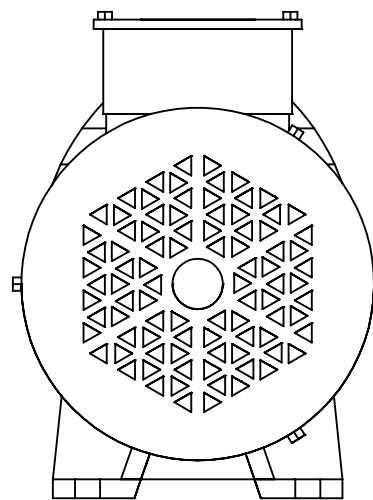
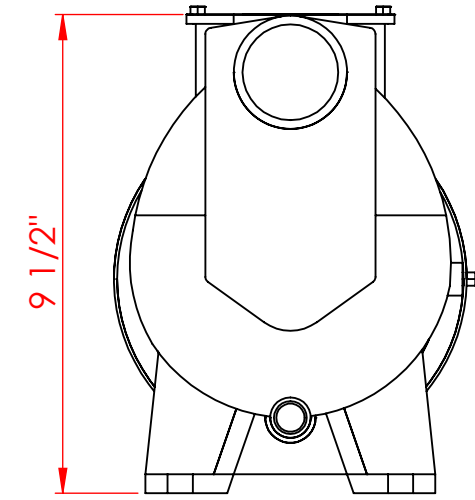
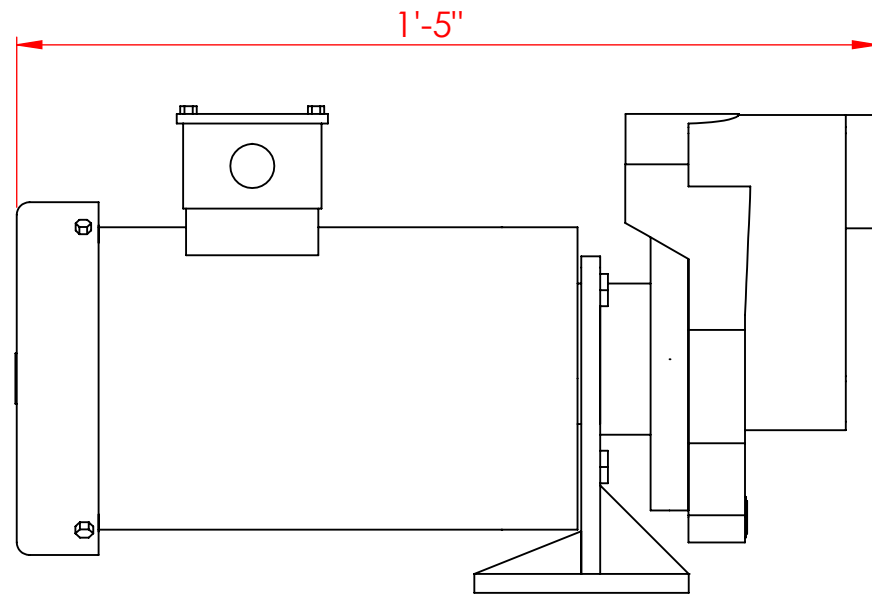
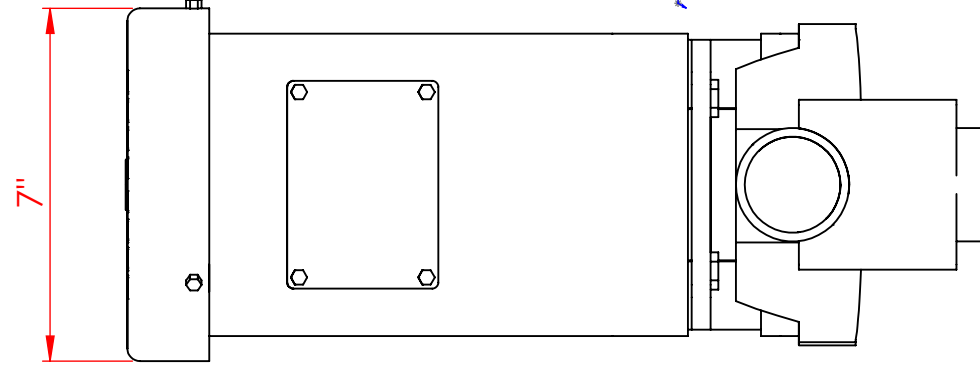
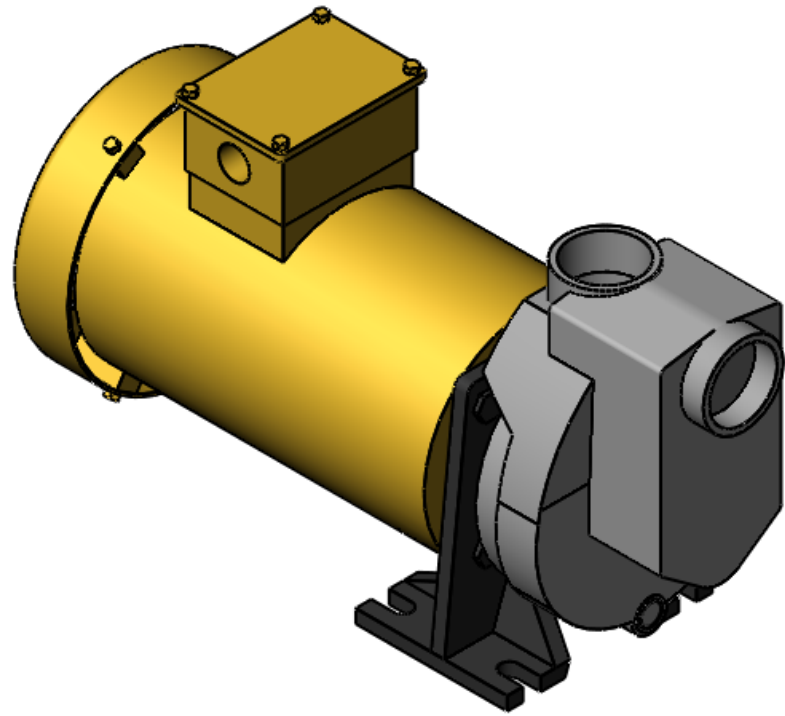
C

B

B

A

A



**MAX TRS-200
Pump Specifications**

Capacity:

130 GPM

Dimensions:

Length - 17"
Width - 7"
Height - 9 1/2"

Weight:

Dry - Approx. 53 lbs

Motor:

2 HP 3P 60Hz TEFC


Piping:

Inlet - 1 1/2"
Outlet - 1 1/2"

REV	REVERSION DESCRIPTION	DATE	SIGNATURE

CONFIDENTIAL

CUSTOMER: Sales Model	
<small>THE INFORMATION HEREIN IS PROPRIETARY TO ROGUE PUMP COMPANY, LLC. NO PORTION OF IT SHALL BE COPIED, DISCLOSED OR USED FOR DESIGN OR MANUFACTURE EXCEPT WITH SPECIFIC WRITTEN CONSENT FROM ROGUE PUMP COMPANY</small>	
DRAWN BY:	REW
CERTIFIED:	DATE: 2/12/16

		Rogue Pump Company, LLC 19215 SE 34th Street Suite 106-202 CAMAS, WA 98607	
TITLE:		MAX TRS-200	
DRAWING NO.	SCALE:	SHEET:	REV
	1:1.5	1 of 1	

8

7

6

5

4

3

2

1