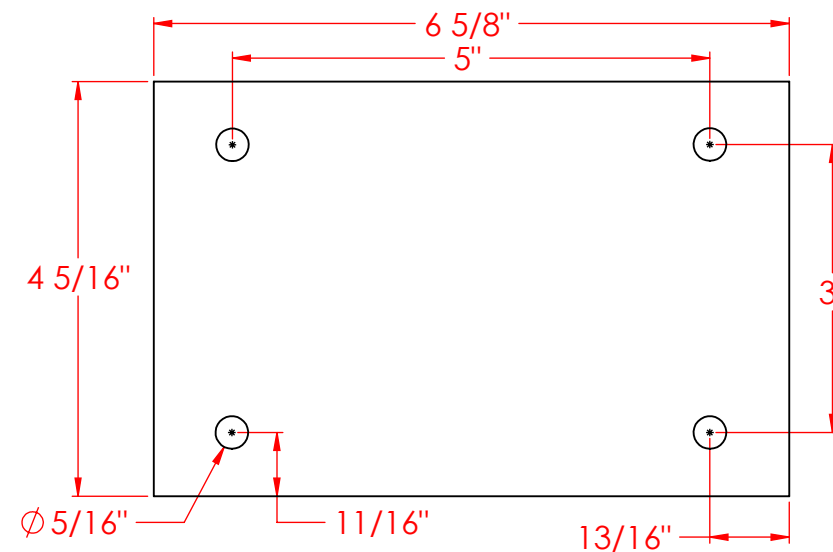



|                            |                |
|----------------------------|----------------|
| <b>Model: MAX RGT-10 I</b> |                |
| Flow Rate                  | 10 gpm         |
| Air Flow Rate              | 8 cfh          |
| Seal                       | Mechanical     |
| Shaft Diameter             | 7/8"           |
| Weight                     | 63 lbs         |
| <b>Fittings</b>            |                |
| Inlet                      | 1" Flange      |
| Outlet                     | 1" Flange      |
| Air Inlet                  | 1/4" NPT       |
| <b>Materials</b>           |                |
| Shaft Sleeve               | 304 SS         |
| Impeller                   | Carbon Steel   |
| O-Ring                     | Viton          |
| Mechanical Seal            | Viton          |
| Body                       | Ductile Iron   |
| <b>Motor</b>               |                |
| Speed                      | 3450 rpm       |
| Horsepower                 | 2 hp           |
| Efficiency @ 100% Load     | Premium, 85.5% |



All bolt holes are 5/16".

| REV | REVERSION DESCRIPTION | DATE | SIGNATURE |
|-----|-----------------------|------|-----------|
|     |                       |      |           |
|     |                       |      |           |

|   |                              |   |                      |
|---|------------------------------|---|----------------------|
| CUSTOMER:<br><b>Sales Model</b>   |                              |  Rogue Pump Company, LLC<br>19215 SE 34th Street Suite 106-202 CAMAS, WA 98607 |                      |
| <small>THE INFORMATION HEREIN IS PROPRIETARY TO ROGUE PUMP COMPANY, LLC. NO PORTION OF IT SHALL BE COPIED, DISCLOSED OR USED FOR DESIGN OR MANUFACTURE EXCEPT WITH SPECIFIC WRITTEN CONSENT FROM ROGUE PUMP COMPANY</small> |                              | TITLE:<br><b>MAX RGT-10 I</b>   |                      |
| DRAWN BY: <b>REW</b>  | DRAWING NO. <b>R-10-S001</b> | DRAWING SIZE <b>B</b>   | REV                  |
| CERTIFIED:  | DATE: <b>12/22/15</b>        | SCALE: <b>1:4</b>   | SHEET: <b>1 of 1</b> |

CONFIDENTIAL