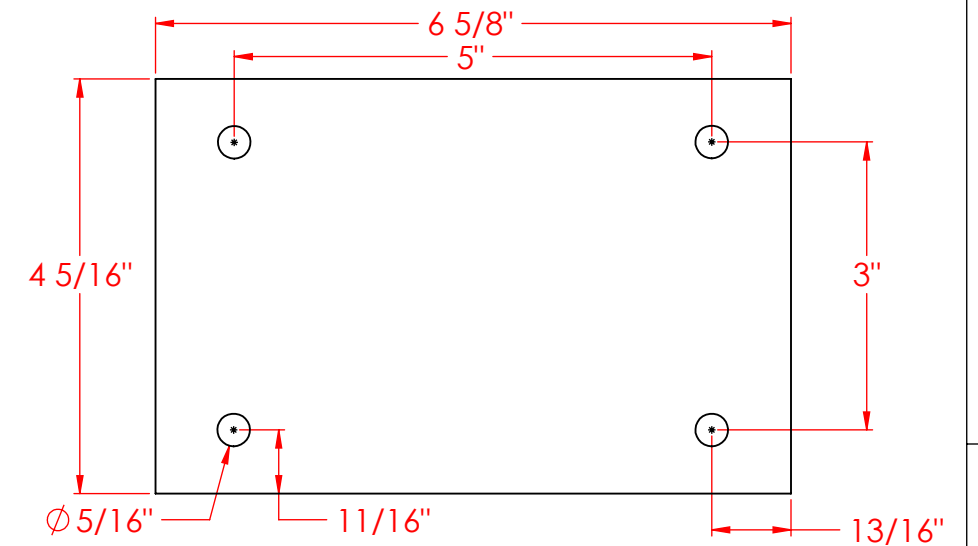



Model: MAX RGT-10 S	
Flow Rate	10 gpm
Air Flow Rate	8 cfh
Seal	Mechanical
Shaft Diameter	7/8"
Weight	63 lbs
Fittings	
Inlet	1" Flange
Outlet	1" Flange
Air Inlet	1/4" NPT
Materials	
Shaft Sleeve	304 SS
Impeller	316 SS
O-Ring	Viton
Mechanical Seal	Viton
Body	304 SS
Motor	
Speed	3450 rpm
Horsepower	2 hp
Efficiency @ 100% Load	Premium, 85.5%



All bolt holes are 5/16".

REV	REVERSION DESCRIPTION	DATE	SIGNATURE

CUSTOMER: Sales Model		 Rogue Pump Company, LLC 19215 SE 34th Street Suite 106-202 CAMAS, WA 98607	
<small>THE INFORMATION HEREIN IS PROPRIETARY TO ROGUE PUMP COMPANY, LLC. NO PORTION OF IT SHALL BE COPIED, DISCLOSED OR USED FOR DESIGN OR MANUFACTURE EXCEPT WITH SPECIFIC WRITTEN CONSENT FROM ROGUE PUMP COMPANY</small>		TITLE: MAX RGT-10 S	
DRAWN BY: REW	DRAWING NO. R-10-S001	DRAWING SIZE B	REV
CERTIFIED:	DATE: 12/22/15	SCALE: 1:4	SHEET: 1 of 1

CONFIDENTIAL