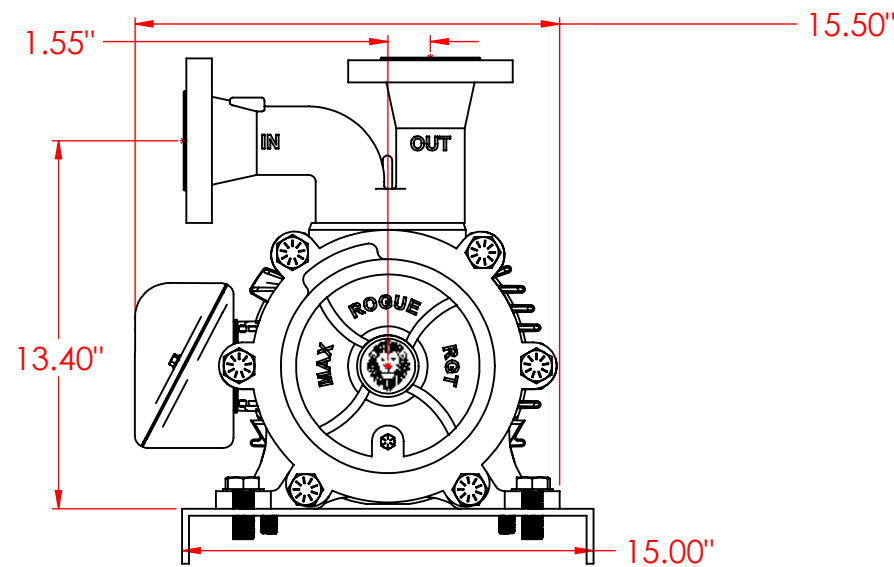
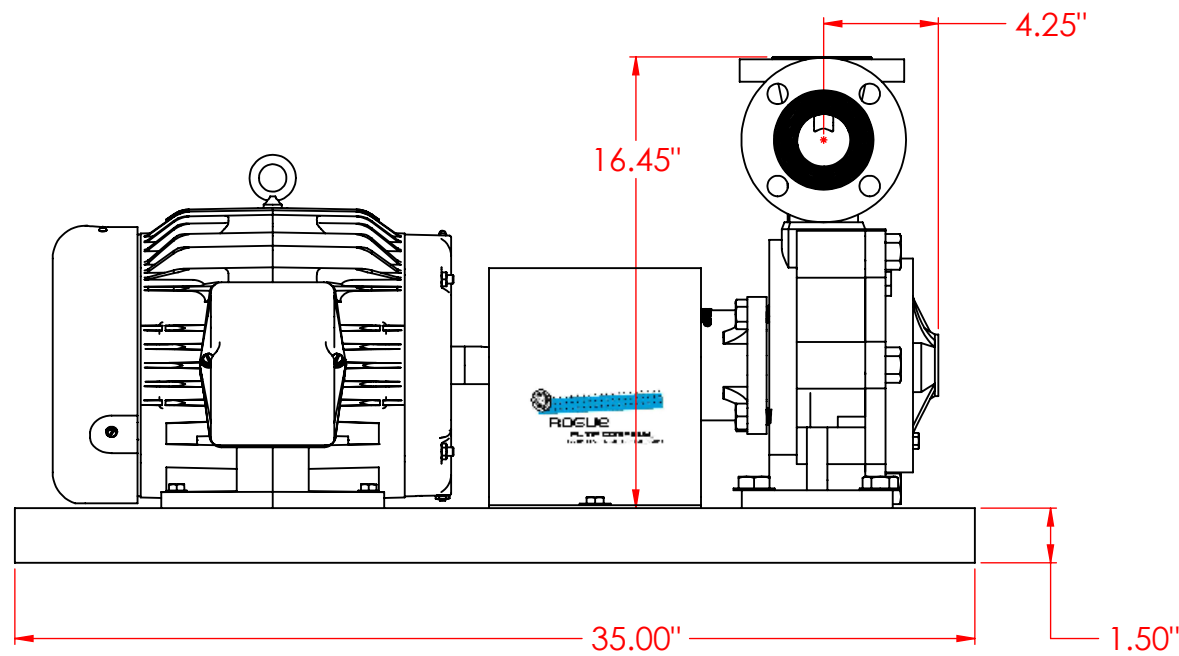



Model: MAX RGT-65FS	
Flow Rate	65 gpm
Air Flow Rate	52 cfh
Seal Type	Mechanical
Weight	360 lbs
Fittings	
Inlet	2" Flange
Outlet	2" Flange
Air Inlet	.25" NPT
Materials	
Impeller	316 SS
O-Ring	Viton
Mechanical Seal	Viton
Body	304 SS
Motor	
Speed	1750 rpm
Horsepower	10 hp
Efficiency @100% Load	Premium, 91.7%



REV	REVISION DESCRIPTION	DATE	SIGNATURE

CUSTOMER: Sales Model		 Rogue Pump Company, LLC 19215 SE 34th Street Suite 106-202 CAMAS, WA 98607	
<small>THE INFORMATION HEREIN IS PROPRIETARY TO ROGUE PUMP COMPANY, LLC. NO PORTION OF IT SHALL BE COPIED, DISCLOSED OR USED FOR DESIGN OR MANUFACTURE EXCEPT WITH SPECIFIC WRITTEN CONSENT FROM ROGUE PUMP COMPANY</small>		TITLE: MAX RGT-65FS	
DRAWN BY: REW	DRAWING NO. R-65-S001	DRAWING SIZE B	REV
CERTIFIED:	DATE: 6/19/17	SCALE: 1:7	SHEET: 1 of 1

CONFIDENTIAL